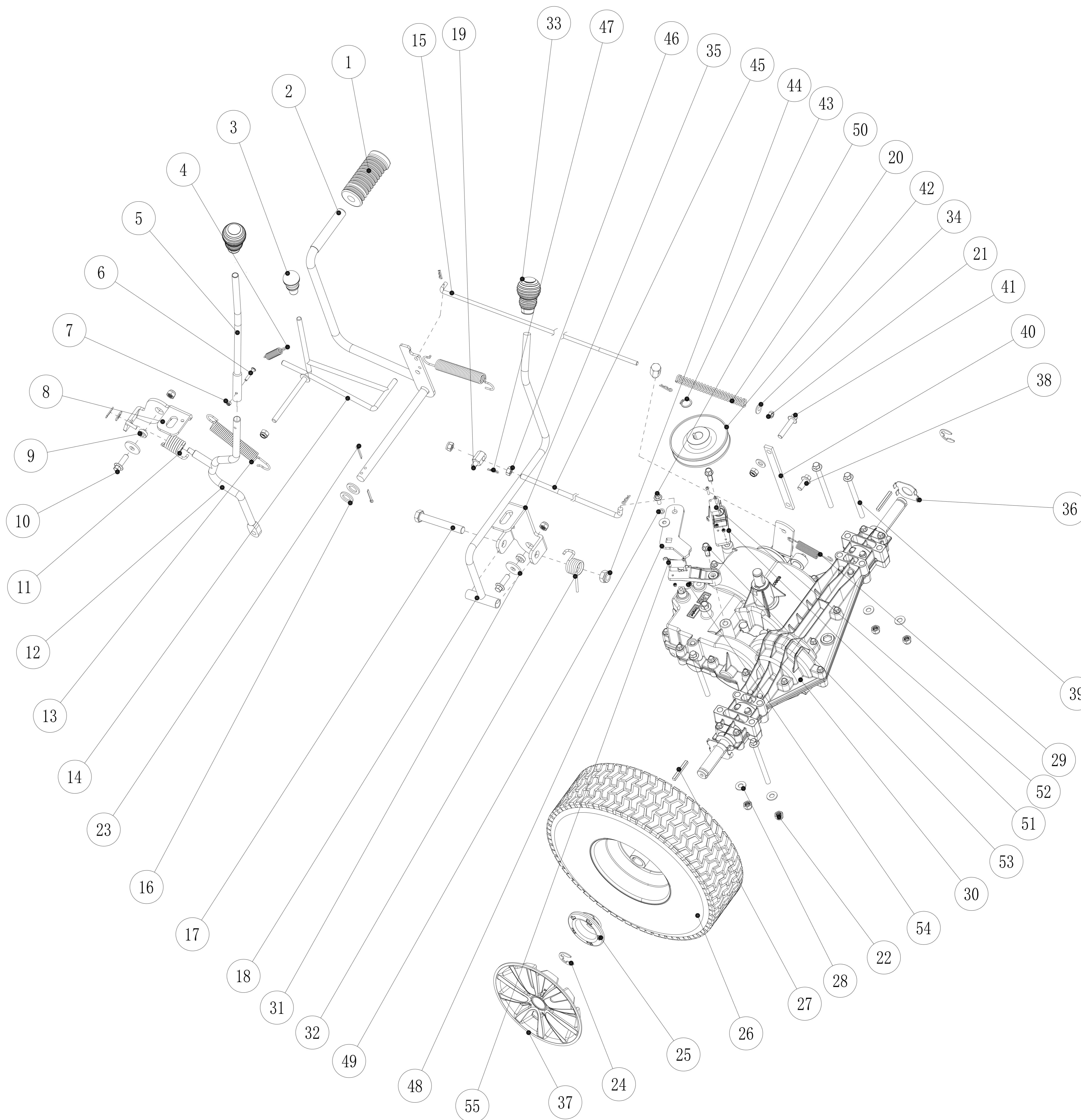


S/N 序号	Figure number 图号	English name 英文名称	Chinese name 中文名称	qty 数量	material 材料
1	115001	brake pedal	刹车踏板	1	NR
2	111060	brake assy	刹车组件	1	Fe
3	Y01508	gear cap	档位旋帽	1	PP
4	Y01303	spring	拉簧	1	65Mn
5	111173	clutch operating lever	离合杆	1	Fe
6	GB-T818-M4X25	screw	螺丝	1	Fe
7	GB-T-889-1-M4	nut	防松螺母	1	Fe
8	111026	revolving support plate	旋转支板	1	Fe
9	114017	bush	衬套	2	Fe
10	GB-T16674-1996-M8X25	bolt	螺栓	2	Fe
11	114026	Spring	扭簧	1	65Mn
12	111063	clutch gear lever	离合档位杆	1	Fe
13	114004	spring	拉簧	2	65Mn
14	111037	P gear control lever	P档控制杆	1	Fe
15	111061	connecting pole	刹车连接杆	1	Fe
16	GB-T848-1985-14	flat washer	平垫	2	Fe
17	GB-T5780-2000-M12X85	bolt	螺栓	1	Fe
18	111016	speed change lever	调速档位杆	1	Fe
19	114003	bush	旋转衬套	2	Fe
20	114064	spring	刹车压簧	1	65Mn
21	GB-T-6170-M6	nut	六角螺母	1	Fe
22	GB6182-M8	nut	防松螺母	9	Fe
23	GB-T-2000-3_2X22	pin	开口销	2	Fe
24	GB896-86-16	split washer	开口挡圈	2	65Mn
25	112029	Fixed base	外盖固定底座	2	PP
26	115062	13" wheel assy	13寸英轮胎总成	2	Fe+NR
27	Y01209-5	shaft pin	曲轴长键	2	Fe
28	GB97-1-85-8	flat washer	平垫	6	Fe
29	114029	spring	拉簧	1	65Mn
30	630001	gearbox assy	齿轮箱总成	1	
31	GB-T5287-85-8	washer	平垫	2	Fe
32	114027	spring	扭簧	1	65Mn
33	112012	handle	把手	2	PP
34	GB-T-96-2-6	flat washer	平垫	2	Fe
35	111018	speed lever location plate	调速杆定位板	1	Fe
36	111092	Antifriction plate	减摩片	2	不锈钢
37	Y03854	Wheel hub cover	新8英寸轮毂外盖	2	PP
38	GB-T16674-1996-M8X25	bolt	螺栓	2	Fe
39	GB-T16674-1996-M8X100	bolt	螺栓	4	Fe
40	114044	fixing plate of gearbox	齿轮箱固定板	1	Fe
41	GB-T16674-1996-M8X40	bolt	螺栓	1	Fe
42	114010	belt wheel assy for gearbox	齿轮箱带轮组件	1	Fe
43	GB1-T894_1-1986-16	bearing washer	轴用弹性挡圈	1	65Mn
44	GB-T889-1-2000-M12	nut	防松螺母	1	Fe
45	111032	speed adjustable lever	调速拉杆	1	Fe
46	GB-T-6170-M8	nut	六角螺母	1	Fe
47	Q501-8	pin	销	4	65Mn
48	635009	Output board	输出板	1	Fe
49	GB93-87-6	washer	弹垫	1	Fe
50	GB/T16674-M6X15	bolt	螺栓	1	Fe
51	112031	Switch base	底座	2	PP
52	115041	Micro Switch	微动开关	2	
53	GB-6563-86-M8X20	bolt	螺栓	2	Fe
54	GB6182-M3	nut	防松螺母	4	Fe
55	GB-T818-M3X16	bolt	螺丝	4	Fe

YH63R	Control	2017
	控制	8

POLAR

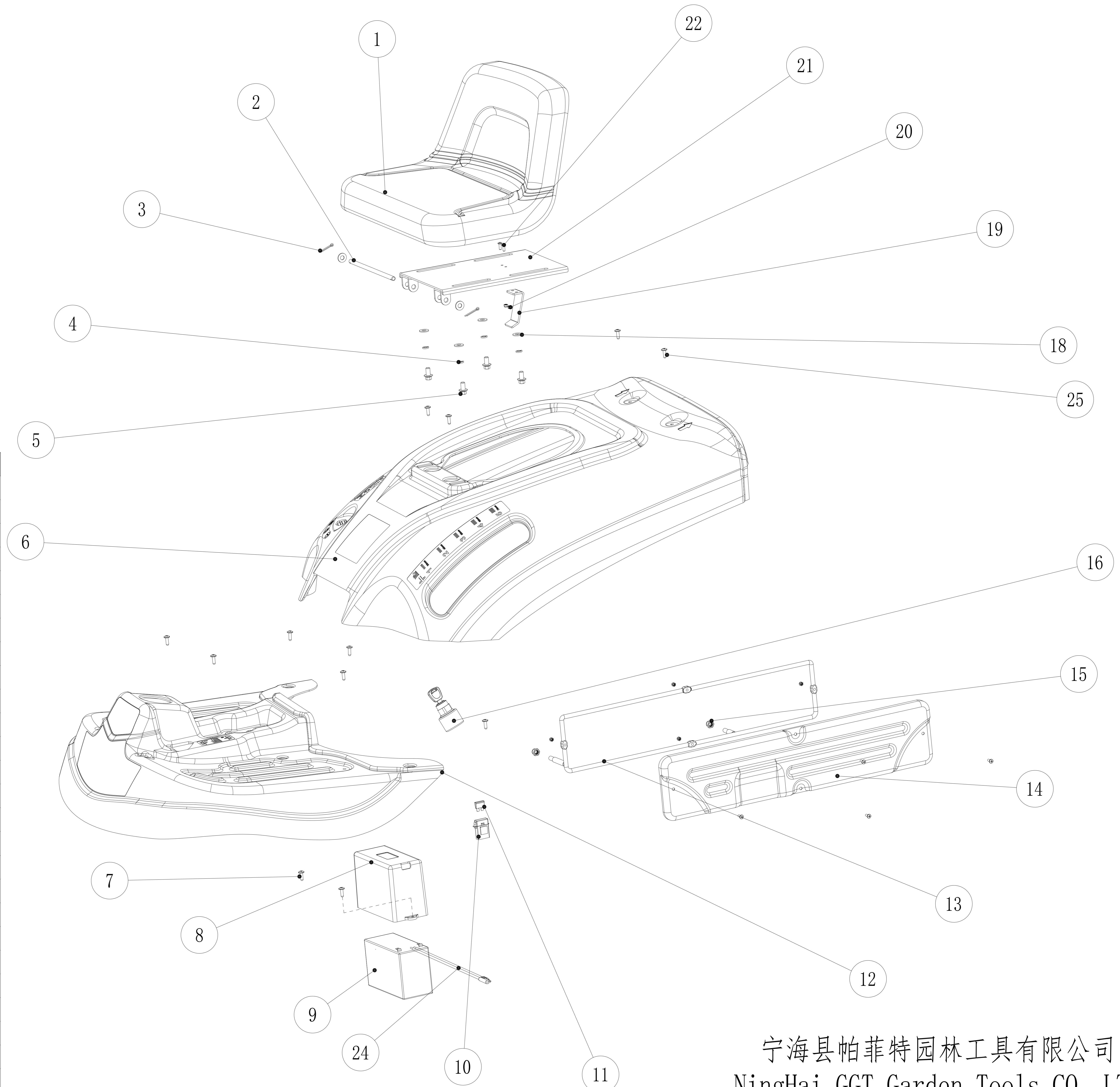
Esploro 67490 YH63R





23

YH63R	Cover	2016
	机壳	12



"S/N 序号"	"Figure number 图号"	"Chinese name 英文名称"	"Chinese name 中文名称"	"qty 数量"	"material 材料"
25	GB845-85-ST4.8X13	screw	自攻螺丝	10	Fe
24	Y01922	wire	双线	1	
23	115040	cable assy	电线总成	1	
22	GB-T818-M4X12	screw	螺丝	6	Fe
21	111090	base assy	底板组件	1	Fe
20	GB-T-889-1-M4	nut	防松螺母	6	Fe
19	111183	seat switch plate	座椅开关触板	1	Fe
18	GB97_1-85-8	washer	平垫	6	Fe
取消cancel	115045	O ring	O型圈	1	NR
16	115032	key	钥匙开关	1	
15	GB6182-M8	nut	防松螺母	2	Fe
14	112015	PP plate	PP板	1	PP
13	111181	location rod of protecting plate	防护定位杆	1	Fe
12	112021	front base	前底座	1	PP
11	115036	fuse	保险丝	1	PC+AL
10	115039	fuse box	保险丝盒	1	PP
9	12V-7AH	battery	电瓶	1	PP
8	Y02109	battery box	电池盖	1	PP
7	GB845-85-ST4.8X9.5	screw	自攻螺丝	2	Fe
6	112024	back base	后底座	1	PP
5	GB-T16674-1996-M8X15	bolt	螺栓	4	Fe
4	GB-T-93-8	washer	弹簧垫圈	4	65Mn
3	GB-T-2000-3_2X22	pin	开口销	2	Fe
2	114036	revolving shaft of seat	座椅转轴	1	Fe
1	115033	seat	座椅	1	Fe+PVC

宁海县帕菲特园林工具有限公司
Ninghai GGT Garden Tools CO.,LTD

54	GB-T16674-1996-M8X35	bolt	螺栓	1	Fe
53	A-LI991	A-type belt	A型-皮带	1	NR
52	111142	lever	球头杆	1	Fe
51	GB-T-6170-M8	nut	六角螺母	3	Fe
50	111028	blade clutch lever	刀片离合拉杆	1	Fe
49	114002	spring	离合弹簧	1	65Mn
48	114003	bush	旋转衬套	2	Fe
47	111029	spring	离合拉杆支架	1	Fe
46	GB97-1-85-8	flat washer	平垫	1	Fe
45	114018	blade pinch roller	刀片压带轮	1	Fe
44	6001LL-GBT276-94	bearing	深沟球轴承	1	Fe
43	GB8931-28	soft washer	孔用弹性挡圈	1	65Mn
42	111024	blade clutch plate	刀片离合板	1	Fe
41	111064	blade brake connecting lever	刀片刹车连接杆	1	Fe
40	Y03119	o type washer	O型密封圈	1	NR
39	Y03104	water port	水接口	1	PA6
38	113001	bearing base	轴承座	2	AL
37	GB-T276-94-6205	bearing	深沟球轴承	2	Fe
36	111023	deck cover	底盘盖板	1	Fe
35	114062	spring	弹簧	1	65Mn
34	111106	limit bush	限位衬套	1	Fe
33	GB896-86_6	split washer	开口挡圈	1	Fe
32	Q501-8	pin	销	3	65Mn
31	GB-T16674-1996-M8X20	bolt	螺栓	4	Fe
30	GB_T5287-1985-8	flat washer	平垫	1	Fe
29	114030	belt wheel assy for blade	刀片带轮组件	1	Fe
28	GB-T16674-1996-M8X55	bolt	螺栓	1	Fe
27	111025	brake pedal	刹车板	1	Fe
26	114005	bush	刹车片衬套	1	Fe
25	114065	pin	平键	1	Fe
24	114006	blade output shaft	刀片主轴	1	Fe
23	GB-T893_1-1986-52	soft washer	孔用弹性挡圈	2	65Mn
22	Y03105	plastic nut	塑料螺母	1	PA6
21	114066	pin	平键	1	Fe
20	Y01201-4	blade bracket	刀片支架	1	Fe
19	3-8-24UNF-2B	bolt	六角法兰面螺栓	1	Fe
18	GB12-98-M8X20	bolt	马车螺栓	8	Fe
17	Y01203	blade washer	刀片垫片	1	65Mn
16	111177	24" blade	24英寸刀片	1	65Mn
15	111004	front left adjustable plate	前左调高底板	1	Fe
14	GB12-98-M6X20	bolt	马车螺栓	1	Fe
13	111001	Chassis	底盘	1	Fe
12	111006	back left adjustable plate	后左调高底板	1	Fe
11	111007	back right adjustable plate	后右调高底板	1	Fe
10	111005	front right adjustable plate	前右调高底板	1	Fe
9	114019	bush	刀片压带轮衬套	1	Fe
8	GB6182-M8	nut	防松螺母	22	Fe
7	111079	Rotary support plate of collector channel	风筒旋转支板	1	Fe
6	GB-T889-1-M6	nut	防松螺母	1	Fe
5	111081	location rod of protecting plate	风筒连接板	1	Fe
4	GB-T16674-1996-M8X40	bolt	螺栓	5	Fe
3	GB-T818-M4X12	screw	螺丝	3	Fe
2	GB-T-889-1-M4	nut	防松螺母	3	Fe
1	112023	collector channel	风筒	1	PVC
"S/N 序号"	" Figure number 图号"	"English name 英文名称"	"Chinese name 中文名称"	"qty 数量"	"material 材料"

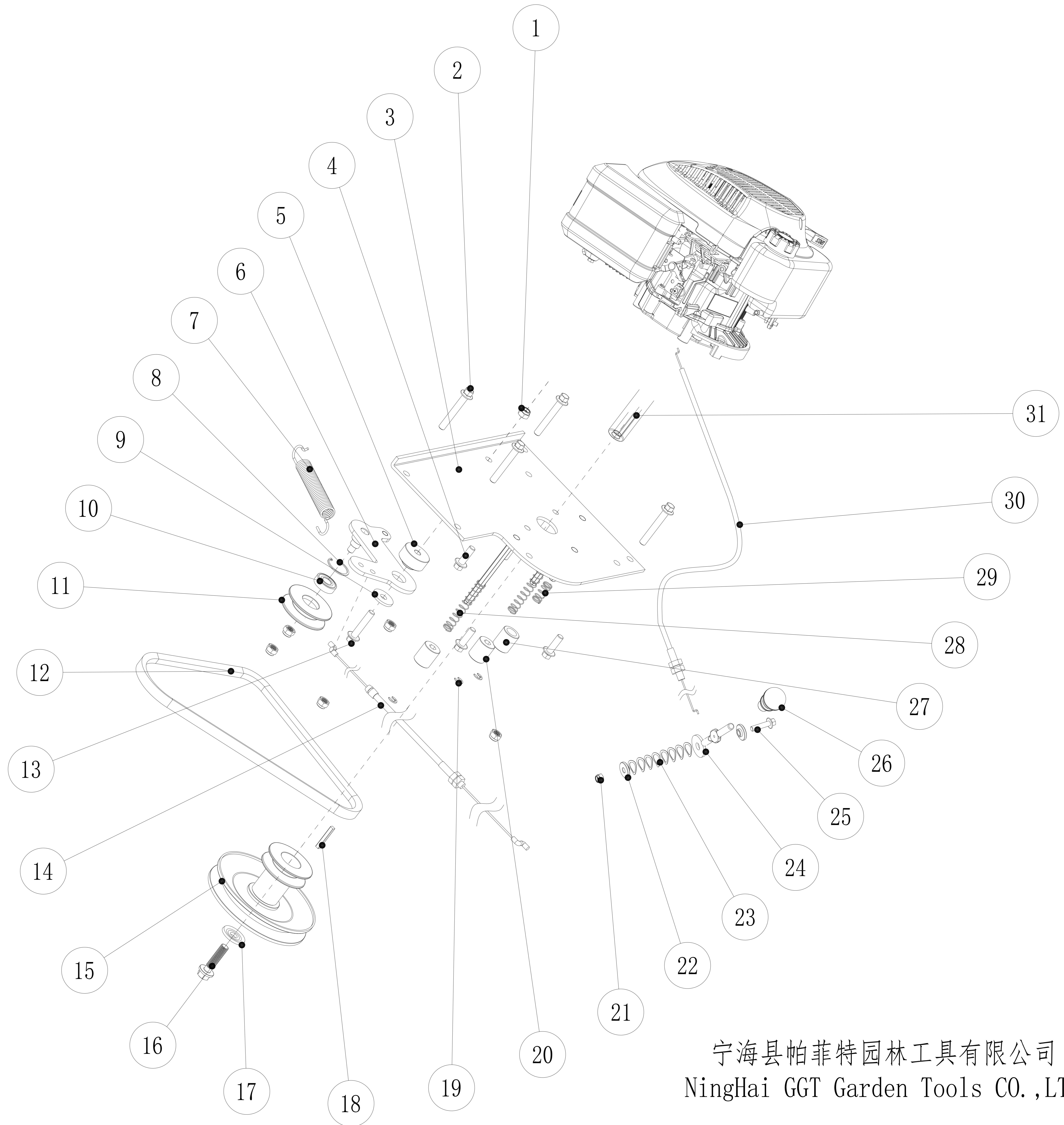
YH63R	Chassis	2015
	底盘	10



宁海县帕菲特园林工具有限公司
NingHai GGT Garden Tools CO.,LTD

31	LONCIN 1P70	Engine	隆鑫1P70	1	
30	115030-1	accelerator cable	油门拉索	1	Fe
29	114061	spring	限位弹簧1	1	65Mn
28	114063	spring	限位弹簧3	2	65Mn
27	111188	limit bush	限位衬套	1	Fe
26	Y01508	gear cap	档位旋帽	1	PP
25	GB-T16674-M6X30	bolt	螺栓	1	Fe
24	111191	accelerator lever	油门控制杆	1	Fe
23	GB-T955-1987-12	soft washer	波形弹性垫圈	8	65Mn
22	114057	bush	衬套	2	Fe
21	GB6182-M6	nut	防松螺母	1	Fe
20	111106	limit bush	限位衬套	2	Fe
19	GB896-86_6	split washer	开口挡圈	3	65Mn
18	114066	pin	平键	1	Fe
17	Y01203	blade washer	刀片垫片	1	65Mn
16	3-8-24UNF-2B	bolt	六角法兰面螺栓	1	Fe
15	114040	belt wheel assy for engine	动力带轮组件	1	Fe
14	115020	self-propelled cable	自走控制拉线	1	Fe
13	GB-T16674-1996-M8X40	bolt	螺栓	1	Fe
12	A-Li762	A-type belt	A型-皮带	1	NR
11	114015	self-propelled pinch roller	自走压带轮	1	Fe
10	6001LL-GBT276-94	bearing	深沟球轴承	1	Fe
9	GB_T5287-1985-8	flat washer	平垫	1	Fe
8	GB8931-28	soft washer	孔用弹性挡圈	1	65Mn
7	114004	spring	拉簧	1	65Mn
6	111022	self-propelled clutch plate	自走离合板	1	Fe
5	114048	bush	衬套	1	Fe
4	GB-T16674-1996-M8X25	bolt	螺栓	3	Fe
3	111021	fixing plate of engine	动力固定板	1	Fe
2	GB-T16674-1996-M8X55	bolt	螺栓	4	Fe
1	GB6182-M8	nut	防松螺母	6	Fe
"S/N 序号"	" Figure number 图号"	"English name 英文名称"	"Chinese name 中文名称"	"qty 数量"	"material 材料"

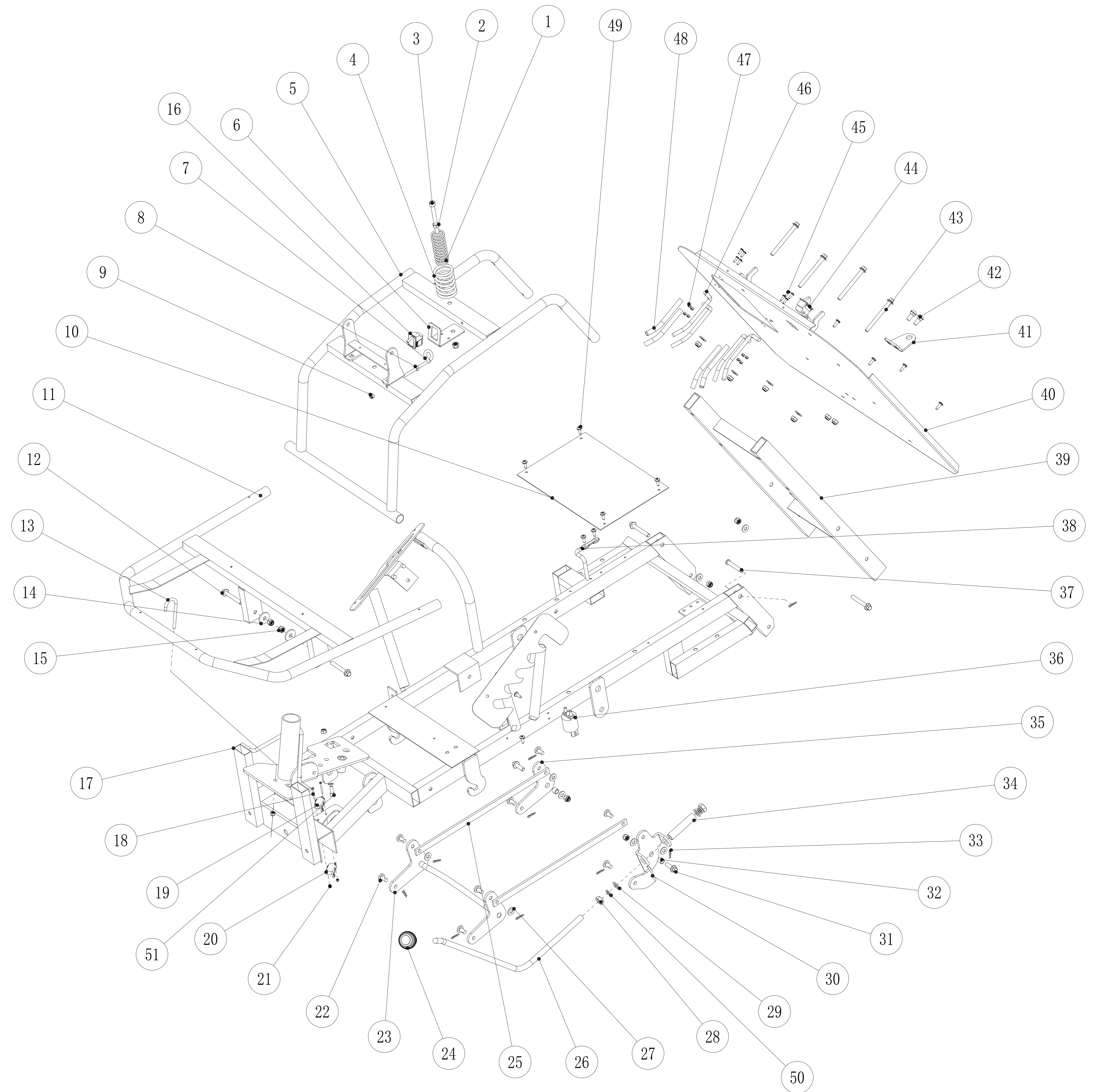
YH63R	Engine	2016
	动力	2



宁海县帕菲特园林工具有限公司
NingHai GGT Garden Tools CO.,LTD

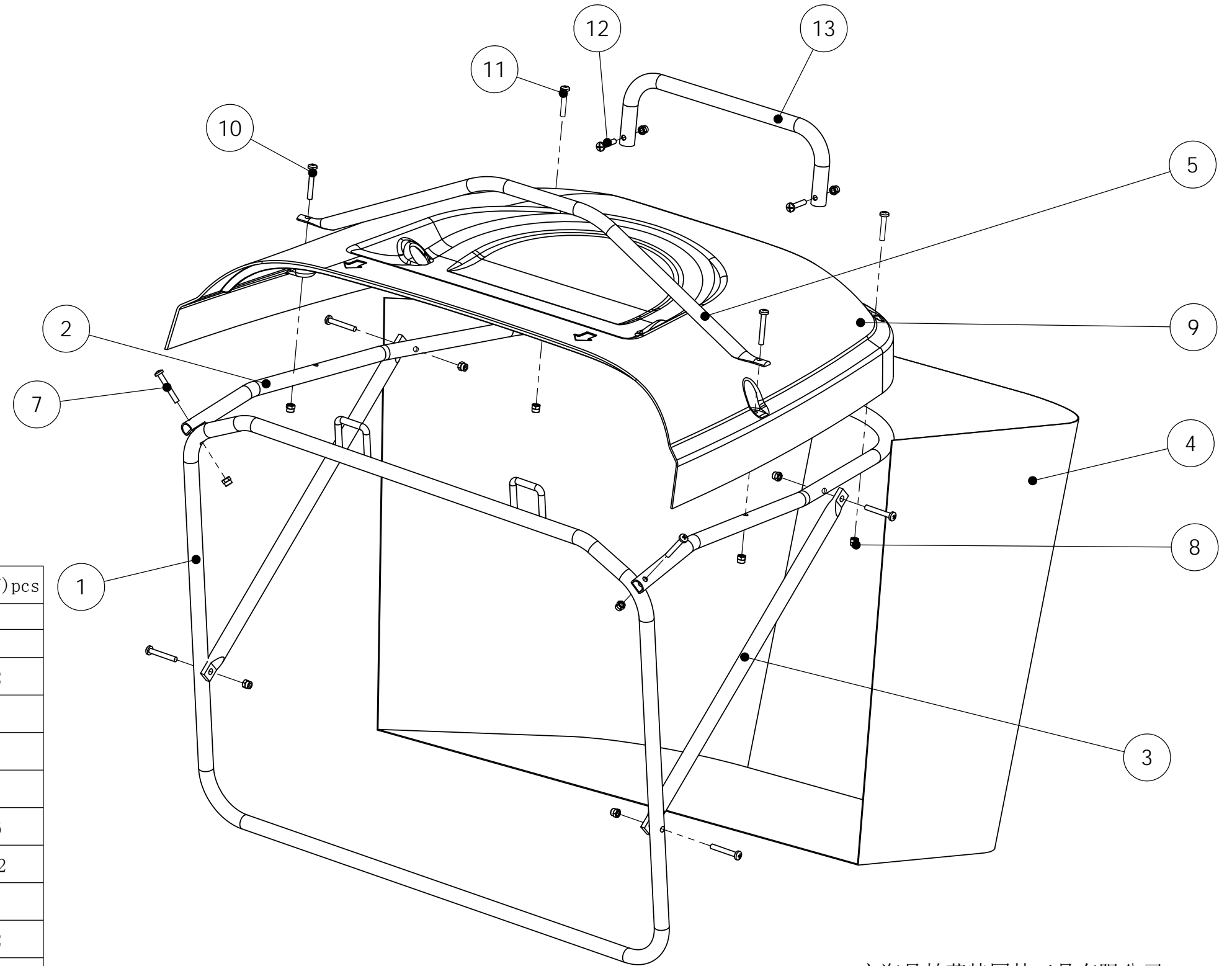
YH63R	框架	2016
	FRAME	2

51	GB/T-70. 1-M8X20	screw	内六角圆柱螺钉	1	65Mn
50	GB93-87-12	washer	弹垫	2	Fe
49	GB845-85-ST4.8X9.5	screw	自攻螺丝	11	Fe
48	111194	bush	护套	4	PVC
47	GB-T-889-1-M4	nut	防松螺母	8	Fe
46	111193	guiding rod of collector channel	导向杆	4	Fe
45	GB-T818-M4X12	screw	螺丝	8	Fe
44	115037	switch	行程开关	1	PP
43	GB-T16674-1996-M8X85	bolt	螺栓	4	Fe
42	GB12-98-M8X20	bolt	马车螺栓	2	Fe
41	111013	support	挂扣	1	Fe
40	111042	Rear-discharge board	后排板	1	Fe
39	111200	support	支架	1	Fe
38	111039	limit lever	限位杆	1	Fe
37	114081	Lock pin	锁销	1	Fe
36	115038	Power Relay	动力继电器	1	Fe
35	111002	adjustable rocker piece	调高摇杆片	1	Fe
34	111108	bush	衬套	1	Fe
33	Q501-8	pin	销	9	65Mn
32	114047	bush	衬套	2	Fe
31	GB-T16674-1996-M8X25	bolt	螺栓	2	Fe
30	111012	adjustable rocker	调高遥杆	1	Fe
29	GB-T848-1985-12	washer	平垫	2	Fe
28	GB-T41-2000-_M12	nut	六角螺母	2	Fe
27	GB97_1-85-8	washer	平垫	13	Fe
26	111107	cutting height adjusting lever	调高杆	1	Fe
25	111011	connect rod	连动杆	2	Fe
24	112012	handle	把手	1	PP
23	111034	brake fixing plate	前调高支架	1	Fe
22	GB109-86-_8X16-D	rivet	高轮铆钉	8	Fe
21	GB-T-889-1-M3	nut	防松螺母	2	Fe
20	115042	switch	微动开关	1	Gu+PP
19	115041	switch	微动开关	1	Gu+PP
18	GB-T818-M3X30	screw	螺丝	2	Fe
17	111082	Main frame	主架	1	Fe
16	115031	switch	行程开关	1	PP
15	GB6182-M8	nut	防松螺母	15	Fe
14	GB_T5287-1985-8	washer	平垫	2	Fe
13	111172	hook	拉钩	1	Fe
12	GB-T16674-1996-M8X55	bolt	螺栓	5	Fe
11	111078	support rod of front base	前底座支撑杆	1	Fe
10	112014	PP plate	PP防护板	1	PP
9	GB6182-M6	nut	防松螺母	2	Fe
8	GB-T-6170-M6	nut	六角螺母	1	Fe
7	114055	rope guide	挂扣	1	Fe
6	111182	seat switch plate	座椅开关底板	1	Fe
5	111070	support lever assy	支撑杆组件	1	Fe
4	114024	Spring of seat	座椅弹簧	1	65Mn
3	GB-T-70-M8X80	bolt	螺栓	1	Fe
2	GB-T-6170-M8	nut	六角螺母	1	Fe
1	114028	Spring	座椅复位弹簧	1	65Mn
"S/N 序号"	"Figure number 图号"	"English name 英文名称"	"Chinese name 中文名称"	"qty 数量"	"material 材料"



宁海县帕菲特园林工具有限公司
NingHai GGT Garden Tools CO.,LTD

YH63R	Grass catcher	2016
	草袋	5

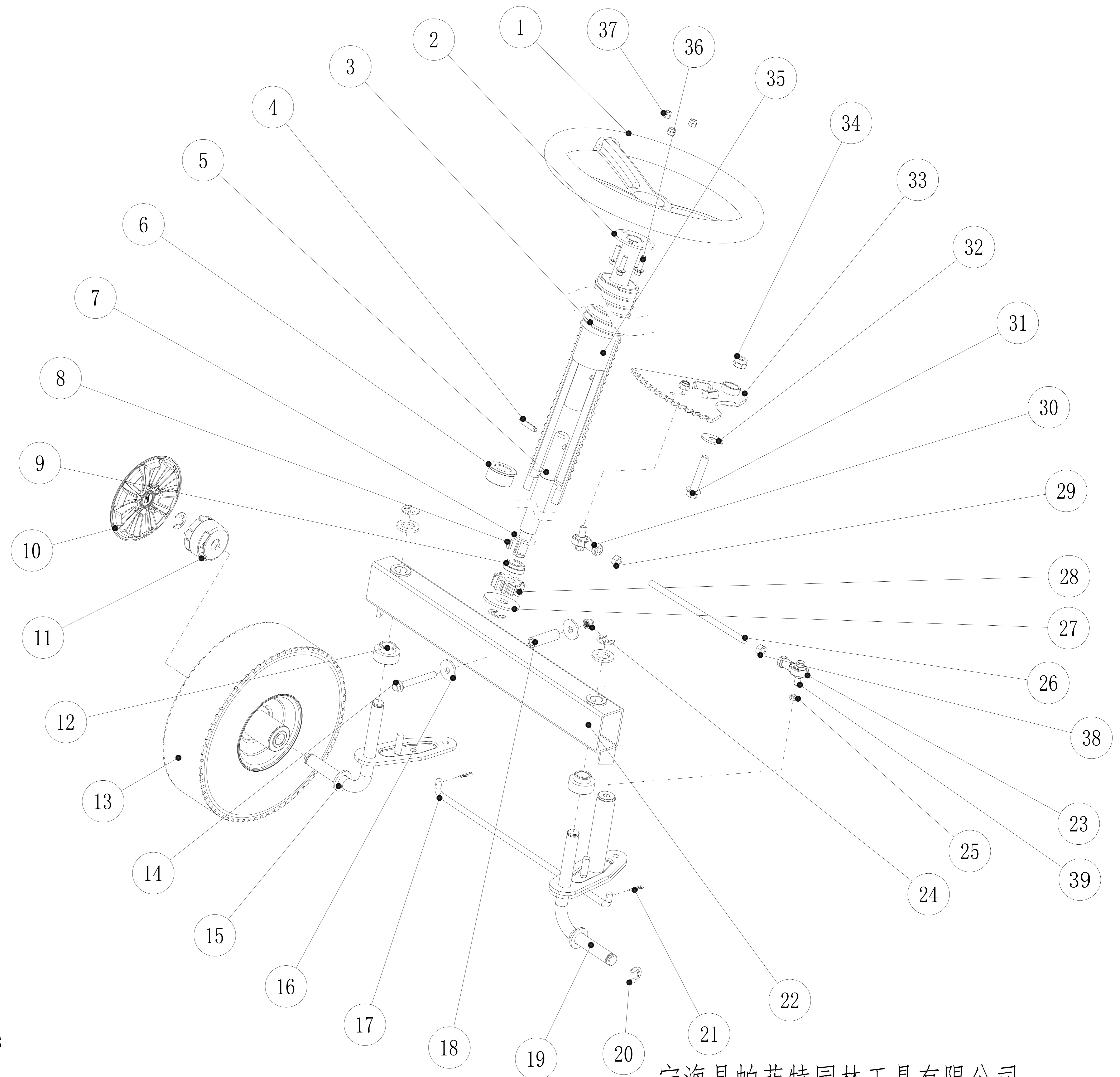


S/N序号	Item No	English name	中文名称	(Q. TY) pcs
1	111049	Frame	框架	1
2	111053	Frame	上框架	1
3	111056	Rod	支撑杆	2
4	115035	nylon bag	草袋	1
5	111068	Front handle	前提手	1
取消cancel	111069	Rear handle	后提手	1
7	GB-T818-2000-M5X35	Screw	十字槽盘头螺钉	6
8	GB6182-M5	Nut	螺母	12
9	112025	Grassbox cover	草箱盖	1
10	GB-T818-2000-M5X40	Screw	十字槽盘头螺钉	2
11	GB-T818-2000-M5X30	Screw	十字槽盘头螺钉	2
12	GB-T818-2000-M5X25	Screw	十字槽盘头螺钉	2
13	111067	Rear handle	后提手	1

宁海县帕菲特园林工具有限公司
Ninghai GGT garden tools CO.,LTD

39	GB-T16674-1996-M8X25	Bolt	螺栓	2	Fe
38	111144	nut	六角螺母	1	Fe
37	GB6182-M6	nut	防松螺母	3	Fe
36	GB-T16674-M6X25	bolt	螺栓	3	Fe
35	112026	foam pipe	发泡管	1	NBR/PVC
34	GB6182-M10	nut	防松螺母	1	Fe
33	111152	fan gear	扇形齿	1	Fe
32	GB95-2002-10	big flat washer	大平垫	1	Fe
31	GB-T16674-M10X50	bolt	螺栓	1	Fe
30	111146	lever	关节轴承	1	Fe
29	GB-T-6170-M8	nut	六角螺母	1	Fe
28	111151	gear	直齿	1	Fe
27	GB95-2002-16	big flat washer	大平垫	1	Fe
26	111141	lever	球头拉杆	1	Fe
25	GB-T-93-8	washer	弹簧垫圈	1	65Mn
24	GB6182-M8	nut	防松螺母	2	Fe
23	111145	lever	关节轴承	1	Fe
22	111111	steering bracket	转向支架	1	Fe
21	Q501-8	pin	销	2	65Mn
20	GB896-86-12	split washer	开口挡圈	5	65Mn
19	111134	left bracket	左支架	1	Fe
18	111035	bush	衬套	1	Fe
17	111124-1	steering connect lever	转向连接杆	1	Fe
16	GB_T5287-1985-8	flat washer	平垫	2	Fe
15	111127	right bracket	右支架	1	Fe
14	GB-T16674-1996-M8X65	screw	螺栓	1	Fe
13	111126	10inch wheel assy	10英寸充气轮胎	2	Fe+NR
12	111114	bush	衬套	2	Fe
11	112028	Fixed base	外盖固定底座	2	PP
10	Y03703	Wheel hub cover	7英寸轮毂外盖	2	PP
9	111163	bush	衬套	1	Fe
8	114067	flat key	平键	1	Fe
7	GB-T-95-2002-16	flat washer	平垫	3	Fe
6	111162	sleeve bush	长轴套	1	Fe
5	111156	steering wheel shaft	方向盘主轴	1	Fe
4	GB/T879.1-6X35	pin	弹性圆柱销	1	65Mn
3	112011	screwed conduit	螺纹管	1	PVC
2	111157	steering lever assy	方向杆组件	1	Fe
1	115034	steering wheel	方向盘	1	Fe+PVC
"S/N 序号"	" Figure number 图号"	"English name 英文名称"	"Chinese name 中文名称"	"qty 数量"	"material 材料"

YH63R	Steering	2017
	转向	8



备注：序号10、11只适用部分机型

Remark: No.10 No.11 Applicable only for some models

宁海县帕菲特园林工具有限公司
NingHai GGT Garden Tools CO.,LTD

RICAMBI DISPONIBILI

Legenda esploso 67490 / YH63R

Parte nr.	Codice	Descrizione (ITA)	Description (ENG)	EAN
Pag.1 - n.1	96195	Gommino pedale freno	Brake pedal	8028815961950
Pag.1 - n.4	96652	Molla blocco freno	Brake locking spring	8028815966528
Pag.1 - n.11	96653	Molla controllo leva lama	Blade lever control spring	8028815966535
Pag.1 - n.13	96654	Molla ritorno leva lama	Blade lever return spring	8028815966542
Pag.1 - n.20	96655	Molla pedale freno	Brake pedal spring	8028815966559
Pag.1 - n.26	96662	Ruota 13" posteriore	Back wheel 13"	8028815966627
Pag.1 - n.29	96656	Molla cavo acceleratore	Throttle cable spring	8028815966566
Pag.1 - n.32	96664	Molla controllo leva marce	Gear lever spring	8028815966641
Pag.1 - n.33	96811	Pomello	Handle	8028815968119
Pag.1 - n.42	96658	Puleggia cambio	Belt wheel for gearbox	8028815966580
Pag.2 - n.9	96129	Batteria	Battery	8028815961295
Pag.2 - n.16	96657	Nottolino chiave	Switch key	8028815966573
Pag.2 - n.23	96412	Cablaggio elettrico	Cable assy	8028815964128
Pag.3 - n.13	96661	Guscio coprilama rasaerba	Chassis	8028815966610
Pag.3 - n.16	96120	Lama	Blade	8028815961202
Pag.3 - n.17-19-20-21	96193	Supporto lama (kit)	Blade locking support (kit)	8028815961936
Pag.3 - n. da 23 a 38	96665	Puleggia per lama	Belt wheel for blade	8028815966658
Pag.3 - n.53	96611	Cinghia trasmissione lama	Belt for blade	8028815966115
Pag.4 - n.7	96668	Molla ritorno pedale freno	Brake pedal return spring	8028815966689
Pag.4 - n.11	96669	Puleggia freno	Brake pulley	8028815966696
Pag.4 - n.12	96610	Cinghia motore	Engine belt	8028815966108
Pag.4 - n.14	96191	Cavo freno	Brake cable	8028815961912
Pag.4 - n.15	96670	Puleggia motore	Belt wheel for engine	8028815966702
Pag.4 - n.26	96671	Pomello cambio	Gear cap	8028815966719
Pag.4 - n.30	96410	Cavo acceleratore	Accelerator cable	8028815964104
Pag.4 - n.n/a	96322	Carburatore	Carburetor	8028815963220
Pag.4 - n.n/a	65811	Filtro aria completo (kit)	Air filter complete (kit)	8028815658119
Pag.4 - n.n/a	96672	Gruppo avviamento	Starter assy	8028815966726
Pag.4 - n.n/a	96673	Tappo serbatoio carburante	Fuel tank cap	8028815966733
Pag.4 - n.n/a	96118	Bobina	Ignition coil	8028815961189
Pag.4 - n.n/a	96015	Candela	Spark plug	8028815960151
Pag.4 - n.n/a	96674	Motore completo	Engine complete	8028815966740
Pag.5 - n.16	96659	Interruttore sotto sedile	Switch under seat	8028815966597
Pag.5 - n.36	94492	Relè accensione	Start-up relay	8028815944922
Pag.6 - n.4	96710	Contentitore erba	Grassbox	8028815967105
Pag.6 - n.9	96660	Coperchio contentitore erba	Grassbox cover	8028815966603
Pag.7 - n.13	96663	Ruota 10" anteriore	Front wheel 10"	8028815966634
Pag.7 - n.28	96675	Ingranaggio sterzo	Steering gear	8028815966757
Pag.7 - n.33	96676	Cremagliera sterzo	Steering rack	8028815966764